



Gleason/Tankard---Johnson Residence

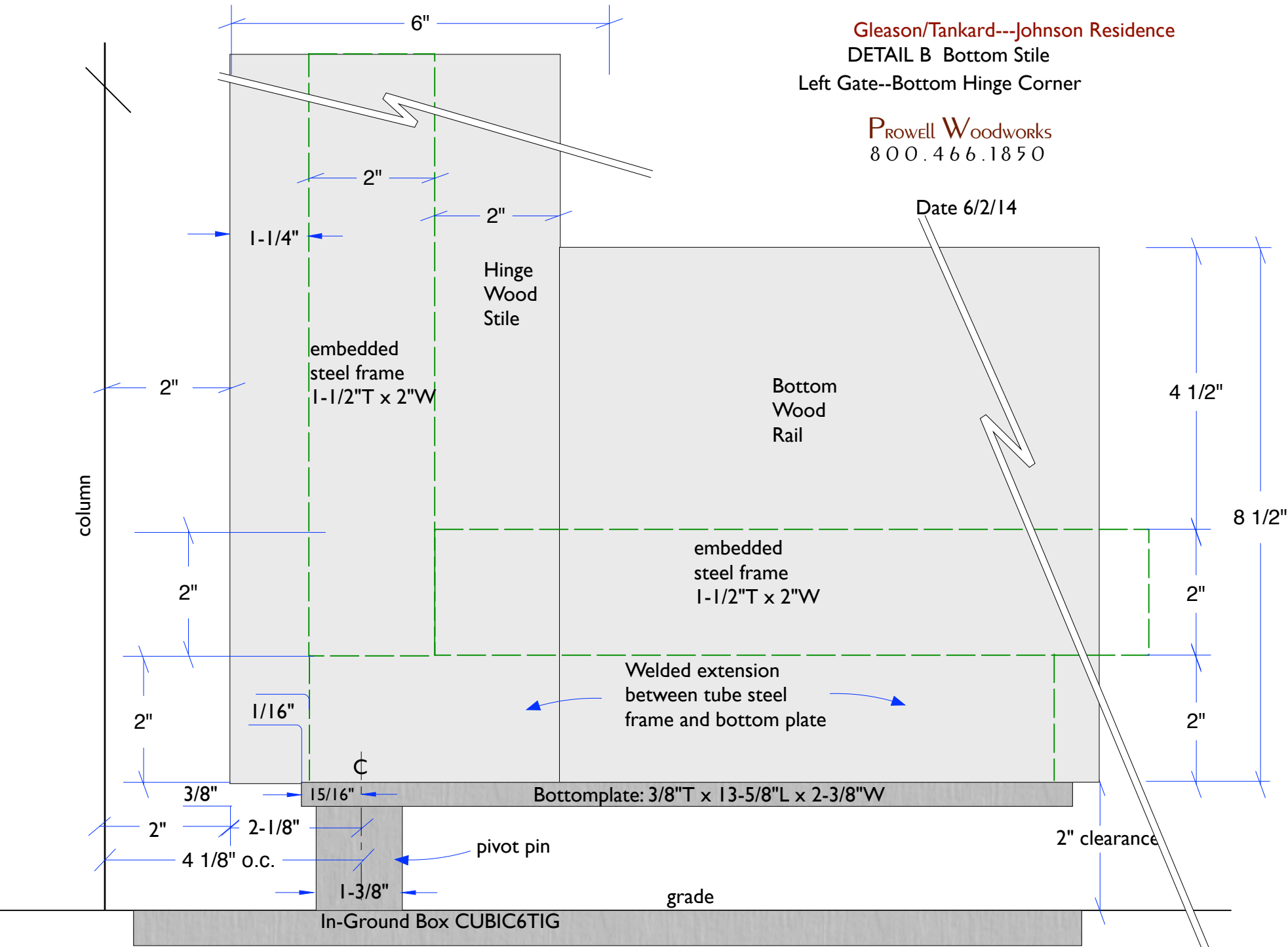
DETAIL B Bottom Stile

Left Gate--Bottom Hinge Corner

Prowell Woodworks

800.466.1850

Date 6/2/14



column

Hinge Wood Stile

Bottom Wood Rail

embedded steel frame 1-1/2"T x 2"W

Welded extension between tube steel frame and bottom plate

Bottom plate: 3/8"T x 13-5/8"L x 2-3/8"W

pivot pin

In-Ground Box CUBIC6TIG

grade

4 1/2"

8 1/2"

2"

2"

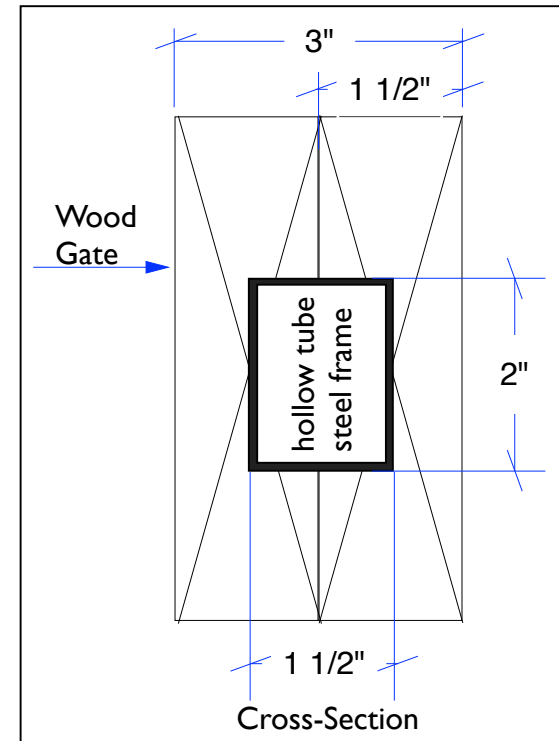
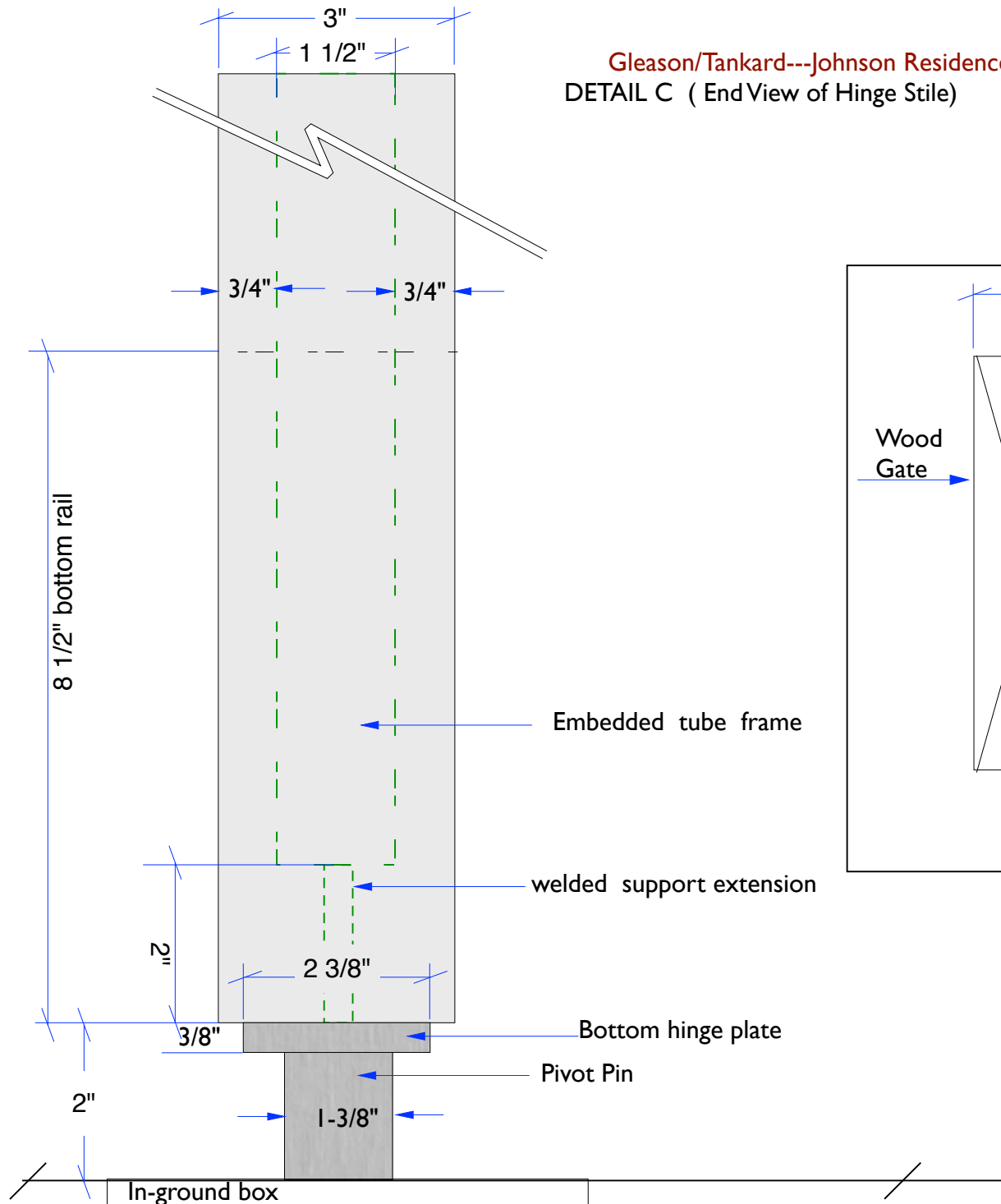
2" clearance

Gleason/Tankard---Johnson Residence  
DETAIL C ( End View of Hinge Stile)

PROWELL WOODWORKS  
800.466.1850

Date 6/2/14

0.010



Gleason/Tankard---Johnson Residence  
DETAIL D ( Plan View of In-Ground Plate)

PROWELL WOODWORKS  
800.466.1850

